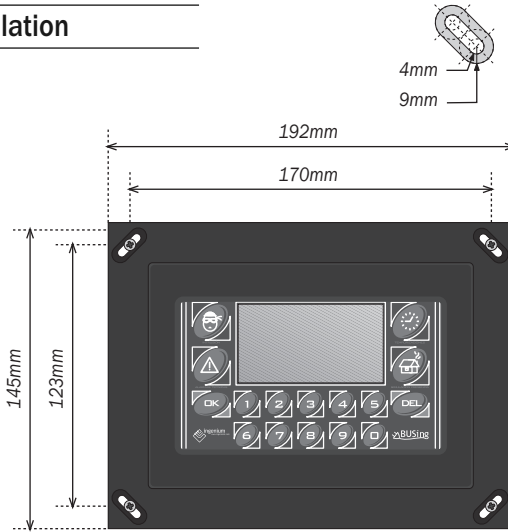


TECBUS

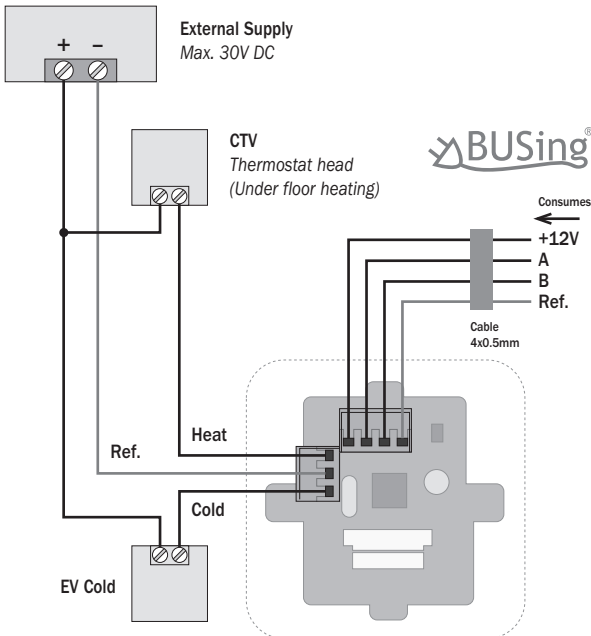
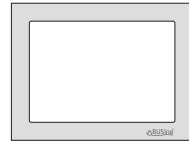
Installation



Installation

This device is fixed in an universal box in the wall with 4 screws following the measurements shown in the diagram.

Finally, press on the embellisher.



Connections

Back side.

