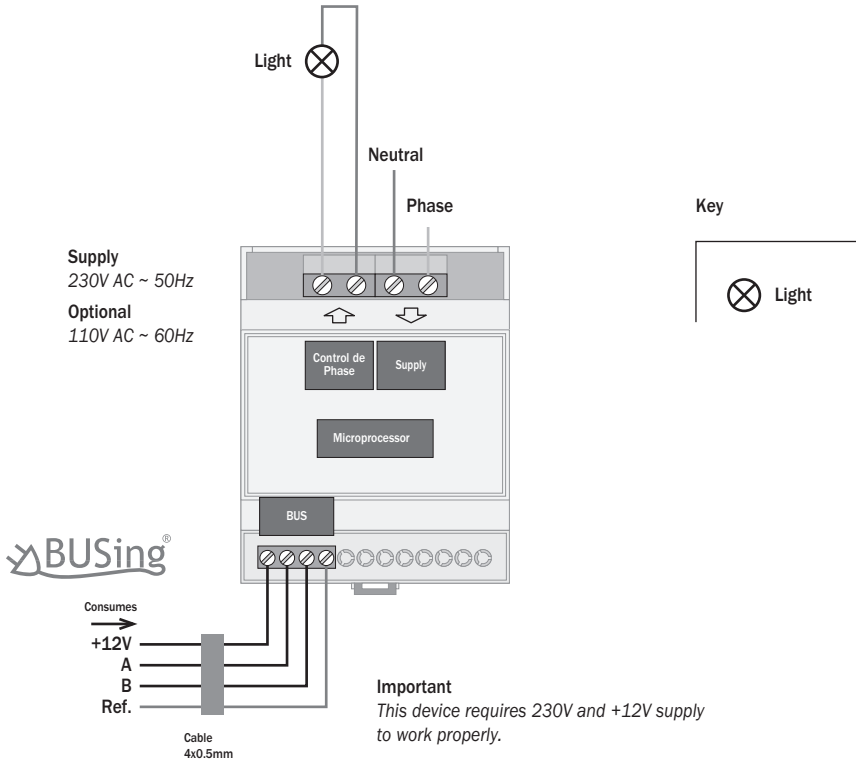


➔ RB1500

Installation

RB1500 output wiring
1500VA output



➔ RB1500-W inalámbrico wireless



This device is available in wireless version.

No BUSing® wiring is required.

