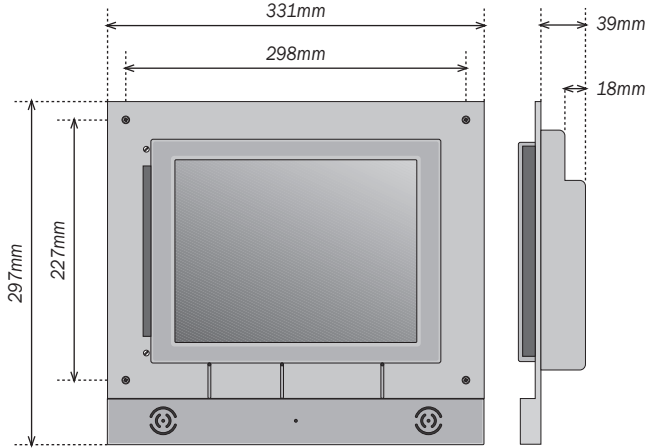


# ➔ PPC10

## Installation

### Housing installation

Only use the housing manufactured by Ingenium.



Once the wall has been plastered and painted, the PPC10 is fixed to the casing in the wall with 4 screws following the measurements shown in the diagram.

Finally, press on the embellisher.

