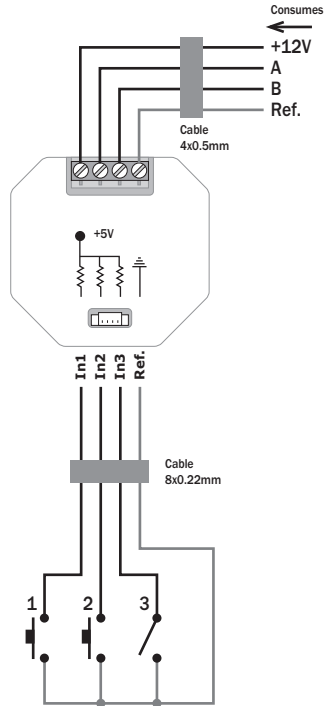


# ➔ MECing

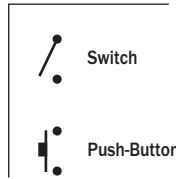
## Installation



Wall mounted  
Behind the mechanism.



Key



Included  
in KITS:

- KI1-6, KI1-10
- KI1-D6
- KP1-6, KP1-D6
- KR1, KR1-D300
- KR2, KR2-D300
- KI1-6W, KI1-10W
- KI1-D6W
- KP1-6W, KP1-D6W
- KR1-D300W
- KR2-D300W

### MECing input wiring

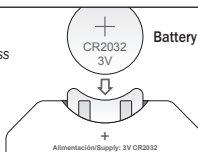
All inputs are SELV.  
They are internally referred to 5V  
and they are activated when  
connected to Ref.

## ➔ MECing-W



This device is  
available in wireless  
version.

Requires CR2032  
battery for supply.



### MECing-W maintenance

Must check and/or  
replace the batteries for  
these devices at least  
once every two years.

It is important not to use  
switches in MECing-W  
inputs to avoid depleting  
the battery.