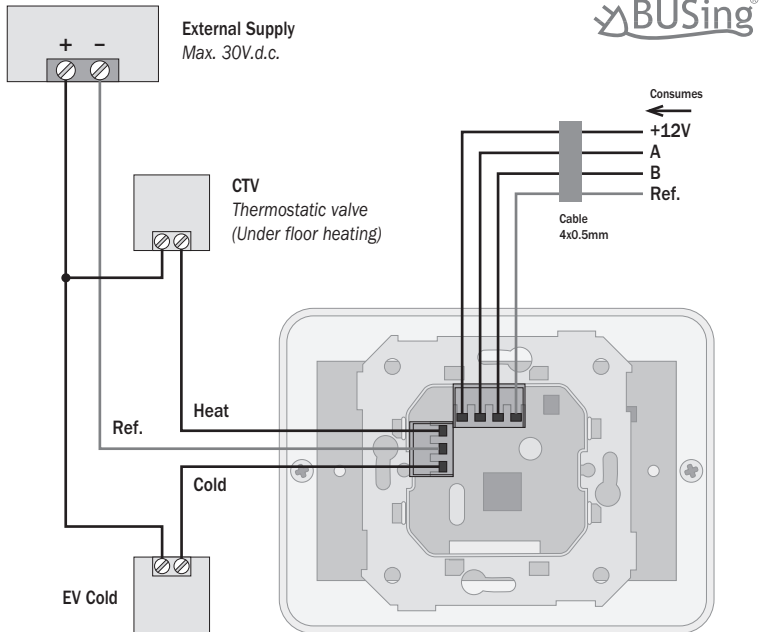


# ➔ MECBUS (1)

## Installation



### Installation boxes

- Universal distribution
- Plasterboard

The back plate is installed in any of these boxes; it needs to be screwed in distribution and plasterboard boxes.

The device is held in place to the backplate with the prongs it has for this purpose.