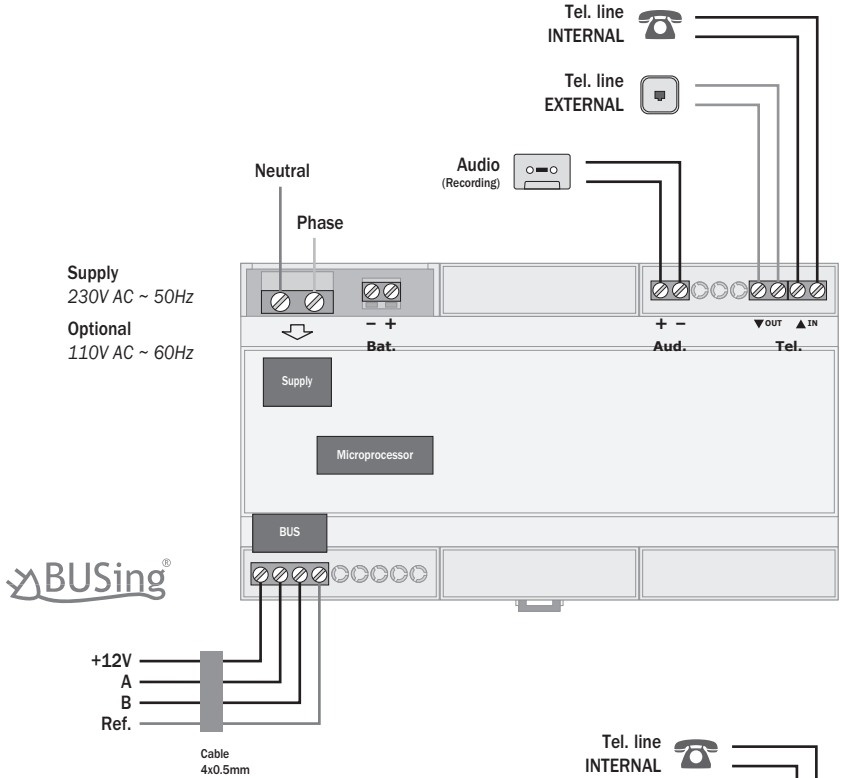


➔ **KTf**

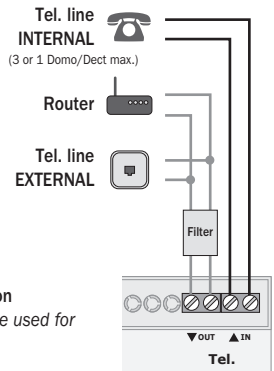
**Installation**



➔ **Ktf-W**



This device is available in wireless version.  
 No BUSing® wiring is required.



**DSL installation**

A filter must be used for compatibility.