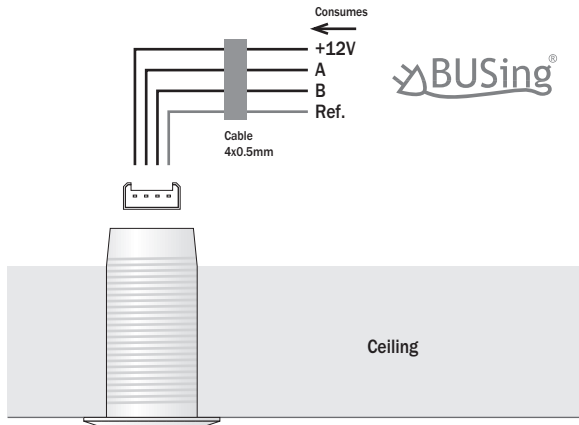


# ➔ IRBUS

## Installation

IRBUS output wiring  
Connection to BUSing®



Maximun distance: 10m

### ➔ MDBUS

IR remote control.  
Compatible with  
the RC5 standard.  
(Auxiliary Channel  
code 0753).

