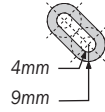
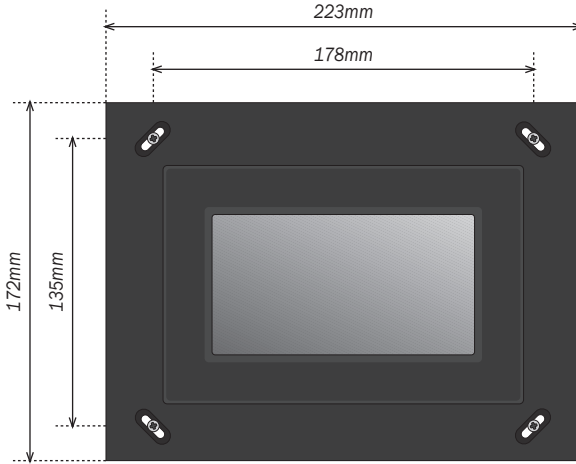


➔ CGBUS

Installation



Housing installation

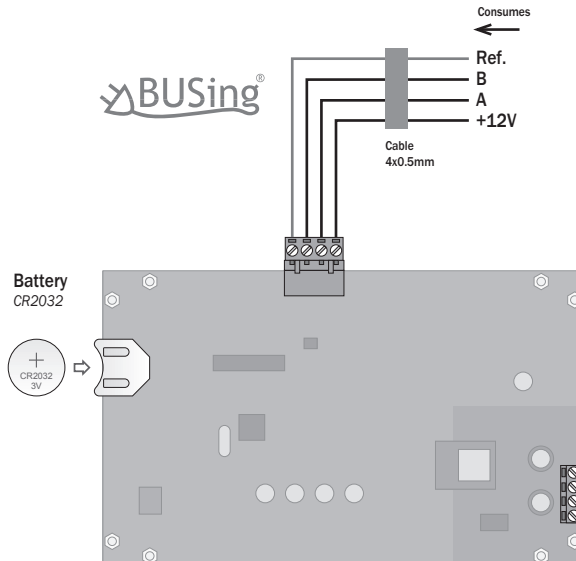
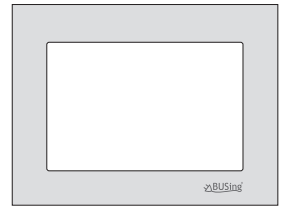
Use GW48006 housing manufactured by Gewiss.

Install it embed in the wall.



Once the wall has been plastered and painted, the CGBUS is fixed to the casing in the wall with 4 screws following the measurements shown in the diagram.

Finally, press on the embellisher.



The CGBUS includes a support for a CR2032 battery. Should there be a powercut, the device will be able to maintain the time. Previous models used 2/3 AA 3.6V 1Ah batteries.

Supply
230V AC ~ 50Hz

Optional
110V AC ~ 60Hz