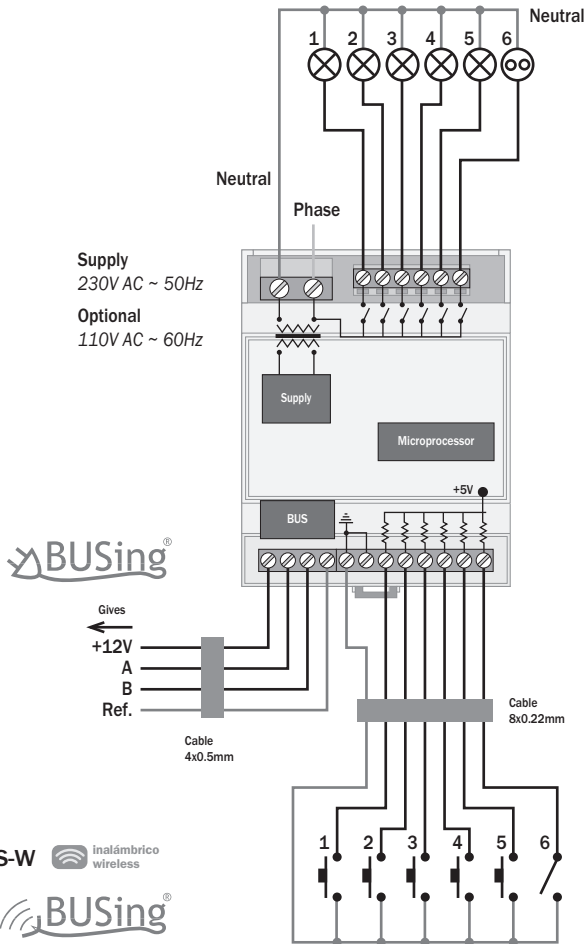


➔ 6E6S





Installation

6E6S output wiring

Maximum power per output, 6A resistive load.



Key

-  Light
-  Plug
-  Switch
-  Push-Button

Included in KITS:

- KI1-6
- KI2-6...KI8-6
- KP1-6
- KP1-6...KP10-6
- KI1-6W
- KI2-6W...KI8-6W
- KP1-6W
- KP1-6W...KP10-6W

➔ 6E6S-W inalámbrico wireless



This device is available in wireless version.

No BUSing® wiring is required.



6E6S input wiring

All inputs are SELV.

They are internally referred to 5V and they are activated when connected to Ref.