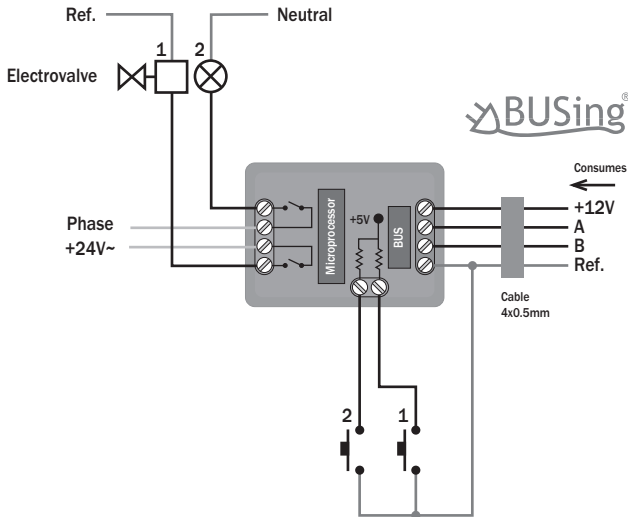


➔ 2E2S

Installation

2E2S output wiring

Maximum power per output, 6A resistive load.

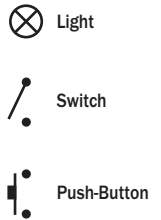


2E2S input wiring

All inputs are SELV.

They are internally referred to 5V and they are activated when connected to Ref.

Key



Included in KITS:

- KI1-D6
- KI2-D6...KI8-D6
- KP1-D6
- KP2-D6...KP10-D6